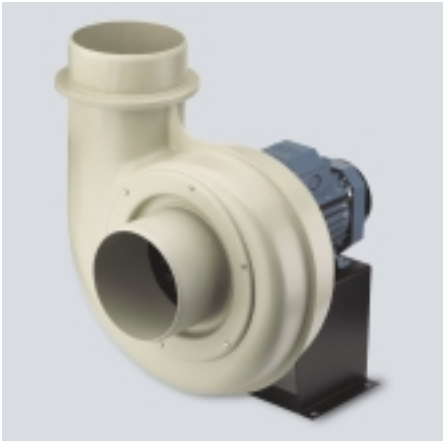




CENTRIFUGAL DIRECT DRIVE FANS CMPT Series, Anti-corrosive Fans



Description

Range of anti-corrosive polypropylene direct-drive single inlet centrifugal fans.

Before installation, it is important to check that the product electrical characteristics listed on the data plate label (voltage, power, frequency etc), match those of the intended electrical supply.

Applications

The CMPT range of fans are suitable for many special applications where the extraction of a corrosive atmosphere is required. Such applications include the extraction of the following:

- Industrial chemical fumes
- Petrochemical fumes
- Laboratories
- Gases up to 40° C (for elevated temperatures see Special Versions).

Construction

Casing

The CMPT casing and inlet connection flange are moulded from tough polypropylene plastic. Models 160 to 315 are also provided with a robust sheet metal mounting frame to support the motor and facilitate installation.

Impellers

All models incorporate radial centrifugal impellers manufactured from tough polypropylene.

Motors

All models incorporate asynchronous induction motors with squirrel cage rotor in die cast aluminium. Manufactured in accordance with IEC 34-1 standard. The following standard specifications apply:

- Three phase 230/400V 50Hz (or 400V 50Hz on some models).
- IP55 protection, with Class F insulation.

Special Versions

Depending upon requirements the CMPT range of fans can be supplied with the following:

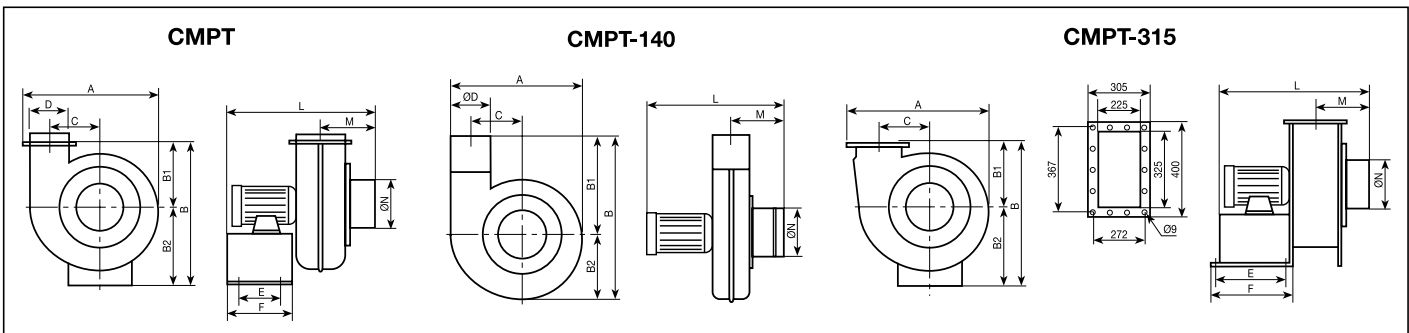
- Single Phase motors
- Casings manufactured from PVC, for the extraction of air / gas containing chromium.

Technical characteristics

Model Type	Speed (r.p.m.)	Motor power (kW)	Absorbed current 230/400 V (A)	Maximum air volume (m ³ /h)	Sound pressure level* (dB(A))	Weight (kg)
MOTOR 2 POLE						
CMPT/2-140	2750	0,09	0,7/0,4	615	60	6,4
CMPT/2-160	2820	0,37	1,9/1,1	1150	69	10,8
CMPT/2-200	2870	1,50	6,1/3,5	3500	81	17,6
MOTOR 4 POLE						
CMPT/4-160	1360	0,25	1,04/0,60	830	54	10,8
CMPT/4-200	1370	0,37	1,82/1,05	1850	66	17,6
CMPT/4-250	1420	1,50	3,5 (400 V)	3650	69	35,2
CMPT/4-315	1430	2,20	4,9 (400 V)	5800	77	59,8

* Measured at 1.5 m in free air.

Dimensions (mm)



Type	A	B	B1	B2	C	E	F	L	M	N	Ø D
140	390	450	250	200	130	-	-	370	180	140	140
160	425	450	200	250	135	120	150	440	160	160	160
200	590	570	260	310	250	170	220	530	200	200	200
250	790	760	340	420	290	200	260	660	240	250	250
315	920	840	380	460	340	300	365	700	250	315	-



■ Performance curves

- Q = Air volume in, m³/hr and m³/s
- Pe = Static pressure in mmWG and Pa.
- Dry air at 20 °C and 760 mmHg.
- Air flow data in accordance with the following standards: UNE 100-212-89, BS 848, Part 1, AMCA 210-85 and ASHRAE 51-1985.

